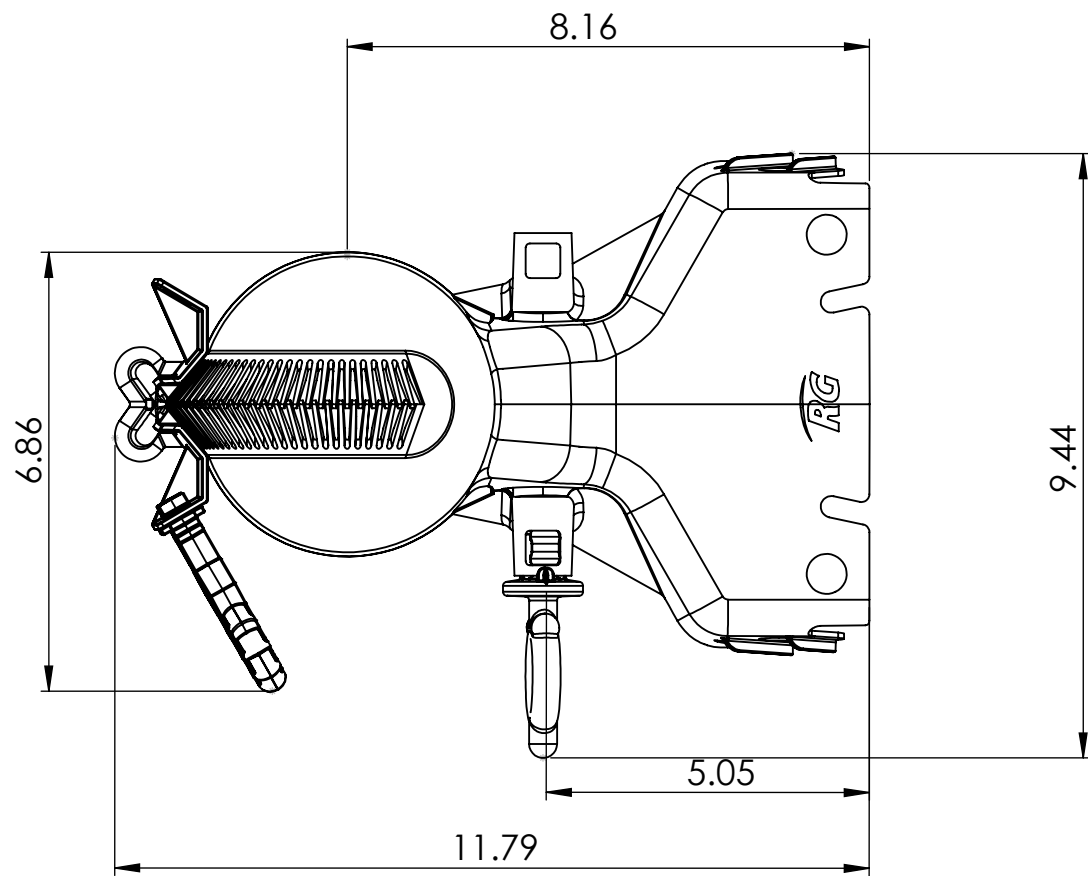
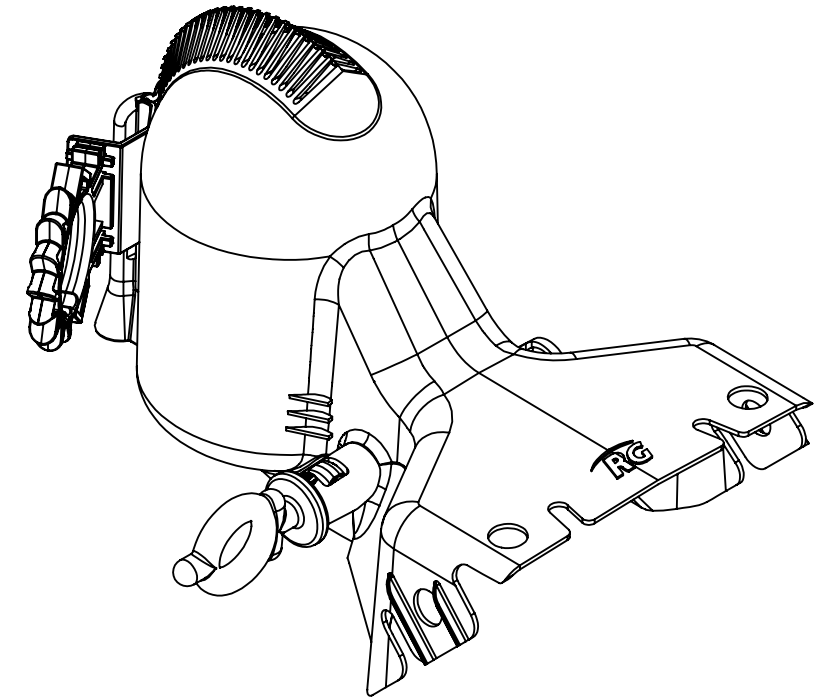


8 7 6 5 4 3 2 1

D



D

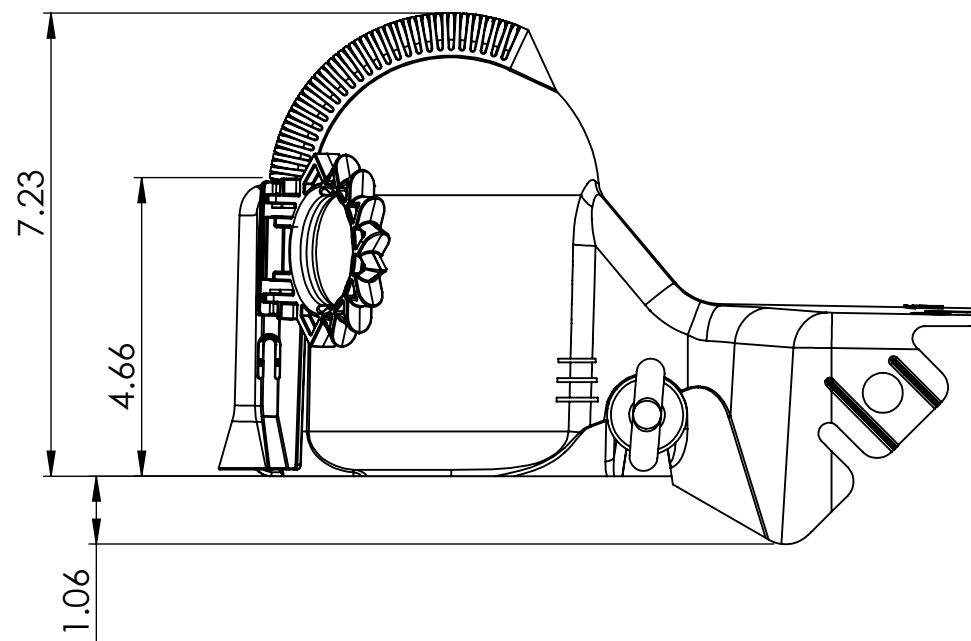


C

C

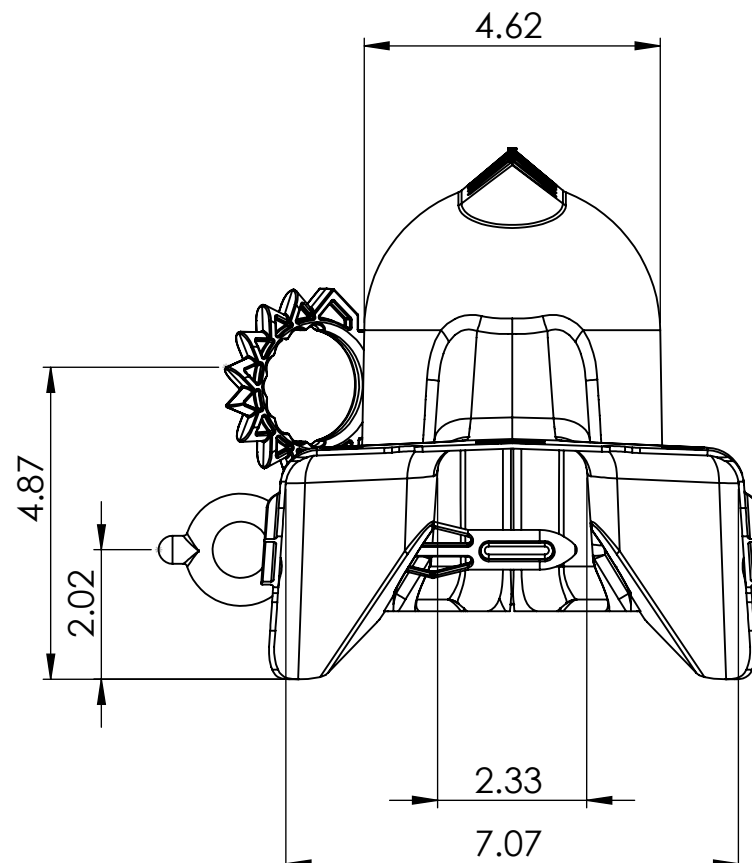
B

B



A

A



- NOTES:
 EACH CO-10007 KIT INCLUDES
 (1) CO-10007N CUTOUT GUARD
 (1) SP-001000 CLIP
 (1) BC-10010-I HOT STICK SPUR
 (1) SP-375601 PIN



MATERIAL:
 PROPRIETARY COMPOUND
 "RELIATANUM"

TITLE:
CUTOUT GUARD KIT

PROPRIETARY AND CONFIDENTIAL

THE INFORMATION CONTAINED IN THIS DRAWING IS THE SOLE PROPERTY OF RELIAGUARD INC. ANY REPRODUCTION IN PART OR AS A WHOLE WITHOUT THE WRITTEN PERMISSION OF RELIAGUARD INC. IS PROHIBITED.

SIZE B	DWG. NO. CO-10007	REV D
SCALE: 1:5		SHEET 1 OF 1

8 7 6 5 4 3 2 1